

DWDM SFP+ модули предназначены для создания каналов связи в DWDM системе

Особенности:

- 100GHz DWDM ITU Grid
- возможность горячей замены
- 24dB бюджет
- двойной LC разъем
- встроенная функция диагностики DDMI
- Data rate 9.95 - 11.1Gbps
- соответствие спецификации MSA для SFP+



Области применения:

- 10GBASE-ZR/ZW 10G Ethernet
- 1200-SM-LL-L 10G Fiber Channel
- SDH STM S-64.2b

Длины волн и модели:

Channel	Model	Frequency (THz)	Center Wavelength (nm)
17	SFP-Plus-DWDM-1563.86-80	191.7	1563.86
18	SFP-Plus-DWDM-1563.05-80	191.8	1563.05
19	SFP-Plus-DWDM-1562.23-80	191.9	1562.23
20	SFP-Plus-DWDM-1561.42-80	192.0	1561.42
21	SFP-Plus-DWDM-1560.61-80	192.1	1560.61
22	SFP-Plus-DWDM-1559.79-80	192.2	1559.79
23	SFP-Plus-DWDM-1558.98-80	192.3	1558.98
24	SFP-Plus-DWDM-1558.17-80	192.4	1558.17
25	SFP-Plus-DWDM-1557.36-80	192.5	1557.36
26	SFP-Plus-DWDM-1556.55-80	192.6	1556.55
27	SFP-Plus-DWDM-1555.75-80	192.7	1555.75
28	SFP-Plus-DWDM-1554.94-80	192.8	1554.94
29	SFP-Plus-DWDM-1554.13-80	192.9	1554.13
30	SFP-Plus-DWDM-1553.33-80	193.0	1553.33
31	SFP-Plus-DWDM-1552.52-80	193.1	1552.52
32	SFP-Plus-DWDM-1551.72-80	193.2	1551.72
33	SFP-Plus-DWDM-1550.92-80	193.3	1550.92
34	SFP-Plus-DWDM-1550.12-80	193.4	1550.12
35	SFP-Plus-DWDM-1549.32-80	193.5	1549.32
36	SFP-Plus-DWDM-1548.51-80	193.6	1548.51
37	SFP-Plus-DWDM-1547.72-80	193.7	1547.72
38	SFP-Plus-DWDM-1546.92-80	193.8	1546.92
39	SFP-Plus-DWDM-1546.12-80	193.9	1546.12
40	SFP-Plus-DWDM-1545.32-80	194.0	1545.32
41	SFP-Plus-DWDM-1544.53-80	194.1	1544.53
42	SFP-Plus-DWDM-1543.73-80	194.2	1543.73
43	SFP-Plus-DWDM-1542.94-80	194.3	1542.94
44	SFP-Plus-DWDM-1542.14-80	194.4	1542.14
45	SFP-Plus-DWDM-1541.35-80	194.5	1541.35
46	SFP-Plus-DWDM-1540.56-80	194.6	1540.56
47	SFP-Plus-DWDM-1539.77-80	194.7	1539.77

48	SFP-Plus-DWDM-1538.98-80	194.8	1538.98
49	SFP-Plus-DWDM-1538.19-80	194.9	1538.19
50	SFP-Plus-DWDM-1537.40-80	195.0	1537.40
51	SFP-Plus-DWDM-1536.61-80	195.1	1536.61
52	SFP-Plus-DWDM-1535.82-80	195.2	1535.82
53	SFP-Plus-DWDM-1535.04-80	195.3	1535.04
54	SFP-Plus-DWDM-1534.25-80	195.4	1534.25
55	SFP-Plus-DWDM-1533.47-80	195.5	1533.47
56	SFP-Plus-DWDM-1532.68-80	195.6	1532.68
57	SFP-Plus-DWDM-1531.90-80	195.7	1531.90
58	SFP-Plus-DWDM-1531.12-80	195.8	1531.12
59	SFP-Plus-DWDM-1530.33-80	195.9	1530.33
60	SFP-Plus-DWDM-1529.55-80	196.0	1529.55

Absolute Maximum Ratings

Parameter	Symbol	Min.	Max.	Unit
Storage Temperature	T_S	-40	+85	°C
Supply Voltage	V_{CC}	-0.5	3.6	V

Recommended Operating Conditions

Parameter	Symbol	Min.	Typical	Max.	Unit
Operating Case Temperature	T_A SFP-Plus-DWDM-152xx.xx-80	0		+70	°C
Power Supply Voltage	V_{CC}	3.15	3.3	3.45	V
Power Supply Current	I_{CC}			600	mA
Baud Rate			9.953/ 11.1		GBaud

PERFORMANCE SPECIFICATIONS - ELECTRICAL

Parameter	Symbol	Min.	Typ.	Max	Unit	Notes
TRANSMITTER						
CML Inputs(Differential)	V_{in}	250		1000	mVp	AC coupled input *(Note1)
Input Impedance (Differential)	Z_{in}	85	100	115	ohms	$R_{in} > 100 \text{ kohms}$ @ DC
Tx_DISABLE Input Voltage - High		2		$V_{CC}+0.3$	V	
Tx_DISABLE Input Voltage - Low		0		0.8	V	
Tx_FAULT Output Voltage -- High		2		$V_{CC}+0.3$	V	
Tx_FAULT Output Voltage -- Low		0		0.5	V	$I_o = -4.0\text{mA}$
RECEIVER						

CML Outputs (Differential)	Vout	350		700	mVpp	AC coupled outputs
Output Impedance (Differential)	Zout	85	100	115	ohms	
Rx_LOS Output Voltage - High		2		Vcc+0.3	V	
Rx_LOS Output Voltage - Low		0		0.8	V	
MOD_DEF (0:2)	VoH	2.5			V	
	VoL	0		0.5	V	

Optical and Electrical Characteristics

Parameter	Symbol	Min.	Typical	Max.	Unit
9µm Core Diameter SMF			40		Km
Data Rate			9.953/ 11.1		Gbps
Transmitter					
Centre Wavelength Spacing	λ_c		100		GHz
Side Mode Suppression Ratio	SMSR	30			dB
Average Output Power*(Note2)	P _{out}	0		+5	dBm
Average Launch Power (Tx: OFF)	P _{off}			-30	dBm
Extinction Ratio	ER	8			dB
P _{out} @TX Disable Asserted				-45	dBm
Relative Intensity Noise				-128	dB/Hz
Receiver					
Receiver Sensitivity *(Note3)	P _{min}			-24	dBm
Receiver Overload	P _{MAX}	-9			dBm
LOS De-Assert	LOSD			-27	dBm
LOS Assert		-37			dBm
LOS Hysteresis		1			dB

Note1: CML logic, internally AC coupled.

Note2: Output is coupled into a 9/125µm single-mode fiber.

Note3: Minimum average optical power measured at the BER less than 1E-12. The measure pattern is PRBS 2³¹-1.

Pin Function Definitions

Pin Num.	Name	FUNCTION	Plug	Notes
1	VeeT	Transmitter Ground	1	
2	TX Fault	Transmitter Fault Indication	3	Note 1
3	TX Disable	Transmitter Disable	3	Note 2, Module disables on high or open
4	SDA	Module Definition 2	3	Note 3, Data line for Serial ID.
5	SCL	Module Definition 1	3	Note 3, Clock line for Serial ID.
6	MOD-ABS	Module Definition 0	3	Note 3
7	RS0	RX Rate Select (LVTTTL).	3	This pin has an internal 30k pull down to ground. A signal on this pin will not affect module performance.
8	LOS	Loss of Signal	3	Note 4
9	RS1	TX Rate Select (LVTTTL).	1	This pin has an internal 30k pull down to ground. A signal on this pin will not affect module performance.
10	VeeR	Receiver Ground	1	Note 5
11	VeeR	Receiver Ground	1	Note 5
12	RD-	Inv. Received Data Out	3	Note 6
13	RD+	Received Data Out	3	Note 7
14	VeeR	Receiver Ground	1	Note 5
15	VccR	Receiver Power	2	3.3 ± 5%, Note 7
16	VccT	Transmitter Power	2	3.3 ± 5%, Note 7
17	VeeT	Transmitter Ground	1	Note 5
18	TD+	Transmit Data In	3	Note 8
19	TD-	Inv. Transmit Data In	3	Note 8
20	VeeT	Transmitter Ground	1	Note 5

Notes:

1) TX Fault is an open collector/drain output, which should be pulled up with a 4.7K – 10KΩ resistor on the host board. Pull up voltage between 2.0V and VccT, R+0.3V. When high, output indicates a laser fault of some kind. Low indicates normal operation. In the

low state, the output will be pulled to $< 0.8V$.

2) TX disable is an input that is used to shut down the transmitter optical output. It is pulled up within the module with a $4.7 - 10 K \Omega$ resistor. Its states are:

Low ($0 - 0.8V$): Transmitter on

($>0.8, < 2.0V$): Undefined

High ($2.0 - 3.465V$): Transmitter Disabled

Open: Transmitter Disabled

3) Modulation Absent, connected to VEET or VEER in the module.

4) LOS (Loss of Signal) is an open collector/drain output, which should be pulled up with a $4.7K - 10K\Omega$ resistor. Pull up voltage between $2.0V$ and V_{ccT} , $R+0.3V$. When high, this output indicates the received optical power is below the worst-case receiver sensitivity (as defined by the standard in use). Low indicates normal operation. In the low state, the output will be pulled to $< 0.8V$.

5) VeeR and VeeT may be internally connected within the SFP+ module.

6) RD-/+ : These are the differential receiver outputs. They are AC coupled 100Ω differential lines which should be terminated with 100Ω (differential) at the user SERDES. The AC coupling is done inside the module and is thus not required on the host board. The voltage swing on these lines will be between 370 and 2000 mV differential ($185 - 1000$ mV single ended) when properly terminated.

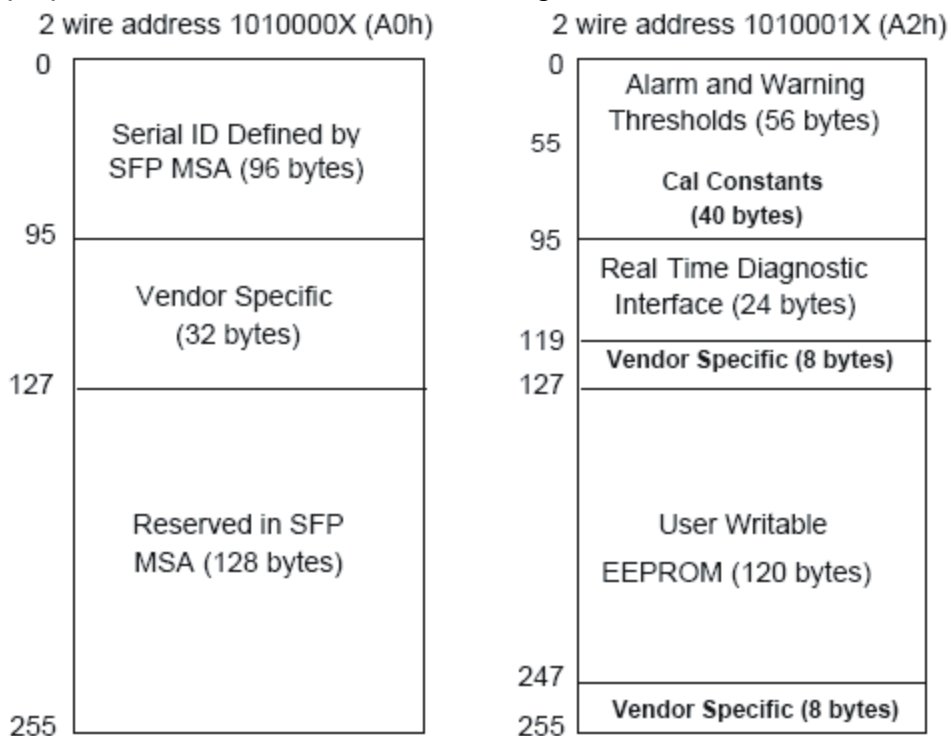
7) V_{ccR} and V_{ccT} are the receiver and transmitter power supplies. They are defined as $3.3V \pm 5\%$ at the SFP+ connector pin. Maximum supply current is $300mA$. Recommended host board power supply filtering is shown below. Inductors with DC resistance of less than 1 ohm should be used in order to maintain the required voltage at the SFP+ input pin with $3.3V$ supply voltage. When the recommended supply-filtering network is used, hot plugging of the SFP+ transceiver module will result in an inrush current of no more than $30mA$ greater than the steady state value. V_{ccR} and V_{ccT} may be internally connected within the SFP+ transceiver module.

8) TD-/+ : These are the differential transmitter inputs. They are AC-coupled, differential lines with 100Ω differential termination inside the module. The AC coupling is done inside the module and is thus not required on the host board. The inputs will accept differential swings of $150 - 1200$ mV ($75 - 600mV$ single-ended).

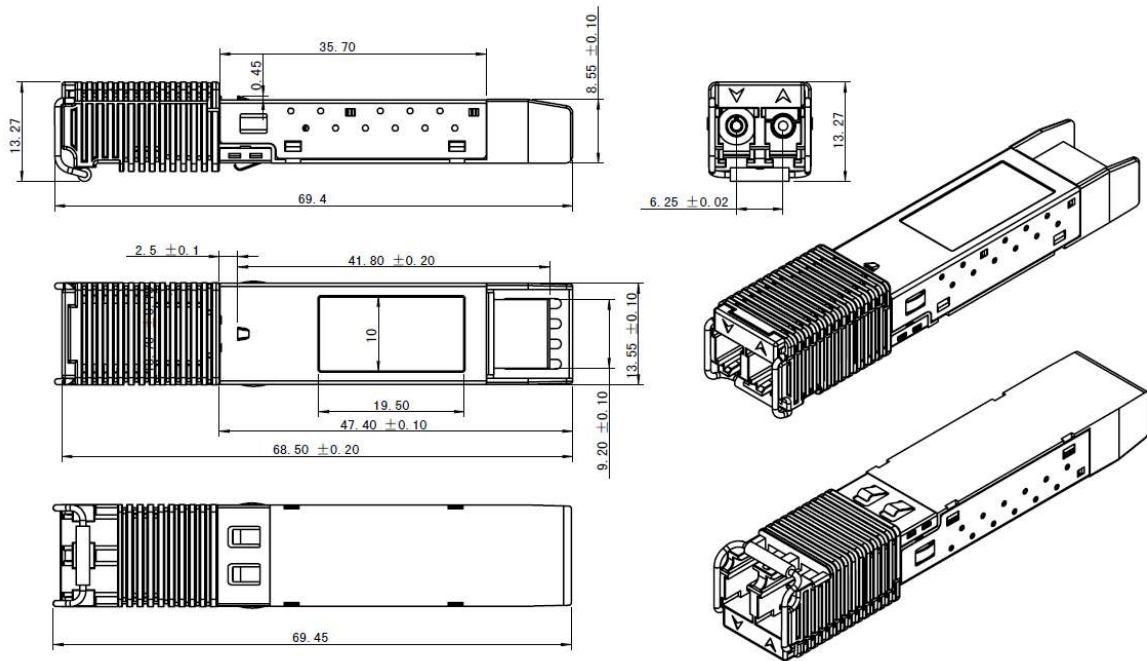
EEPROM

The serial interface uses the 2-wire serial CMOS EEPROM protocol defined for the ATMEL AT24C02/04 family of components. When the serial protocol is activated, the host generates the serial clock signal (SCL). The positive edge clocks data into those segments of the EEPROM that are not write protected within the SFP+ transceiver. The negative edge clocks data from the SFP+ transceiver. The serial data signal (SDA) is bi-directional for serial data transfer. The host uses SDA in conjunction with SCL to mark the start and end of serial protocol activation. The memories are organized as a series of 8-bit data words that can be addressed individually or sequentially.

The Module provides diagnostic information about the present operating conditions. The transceiver generates this diagnostic data by digitization of internal analog signals. Calibration and alarm/warning threshold data is written during device manufacture. Received power monitoring, transmitted power monitoring, bias current monitoring, supply voltage monitoring and temperature monitoring all are implemented. The diagnostic data are raw A/D values and must be converted to real world units using calibration constants stored in EEPROM locations 56 – 95 at wire serial bus address A2h. The digital diagnostic memory map specific data field define as following.



Mechanical Specifications



Mechanical Specifications

